

This instrument prepared by:
Record and Return to: *(Handwritten)*
CURTIS R. MOSLEY, ESQ.
Mosley, Wallis & Whitehead, P.A.
Post Office Box 1210
Melbourne, Florida 32902-1210

Handwritten: Pursell - Bd. A



CFN:982006673 10-26-98 03:28 pm
OR Book/Page: 3915 / 1192

Sandy Crawford
Clerk Of Courts, Brevard County

#Pgs: 17	#Names: 2	Serv: 1.00
Trust: 9.00	Rec: 69.00	Excise: 0.00
Deed: 0.00		Int Tax: 0.00
Mtg: 0.00		

**SIXTH AMENDMENT TO DECLARATION OF
CONDOMINIUM OF SHOREWOOD, A CONDOMINIUM**

SHOREWOOD OF CAPE CANAVERAL, INC., a Florida corporation, pursuant to the authority reserved in Article XIII of the Declaration of Condominium establishing SHOREWOOD, A CONDOMINIUM, as recorded in Official Records Book 3612, Pages 3839 through 3920, as amended by First Amendment to Declaration of Condominium as recorded in Official Records Book 3640, Page 3720, as amended by Second Amendment to Declaration of Condominium as recorded in Official Records Book 3664, Page 2273, as amended by Third Amendment to Declaration of Condominium as recorded in Official Records Book 3693, Page 1010, as amended by Fourth Amendment to Declaration of Condominium as recorded in Official Records Book 3721, Page 3619, and as amended by Fifth Amendment to Declaration of Condominium as recorded in Official Records Book 3801, Page 176 of the Public Records of Brevard County, Florida and the Florida Condominium Act, hereby amends and expands said Declaration above described and submits the following described real property located in the City of Cape Canaveral, Brevard County, Florida, which property is more particularly described as follows, to-wit:

SEE SHEET 4 OF EXHIBIT "J" ATTACHED HERETO WHICH IS INCORPORATED
HEREIN BY REFERENCE AND MADE A PART HEREOF FOR LEGAL DESCRIPTION OF
PHASE FOUR.

together with improvements thereon, containing one (1) five-story building, having a total of twenty-four (24) units and other appurtenant improvements more specifically described in Exhibit "J" attached hereto and made a part hereof, to condominium ownership pursuant to the Florida Condominium Act, and hereby declares the same to be known and identified as SHOREWOOD, A CONDOMINIUM.

SHOREWOOD OF CAPE CANAVERAL, INC., a Florida corporation, further amends and expands the above-described Declaration of Condominium to include and merge the common and limited common elements and easements of the property submitted to Condominium by this Amendment with the property described in the original Declaration of Condominium recorded in 3612, Pages 3839 through 3920, as amended by First Amendment to Declaration of Condominium as recorded in Official Records Book 3640, Page 3720, as amended by Second Amendment to Declaration of Condominium as recorded in Official Records Book 3664, Page 2273, as amended by Third Amendment to Declaration of Condominium as recorded in Official Records Book 3693, Page 1010, as amended by Fourth Amendment to Declaration of Condominium as recorded in Official Records Book 3721, Page 3619, and as amended by Fifth Amendment to Declaration of Condominium as recorded in Official Records Book 3801, Page 176 of the Public Records of Brevard County, Florida.

SHOREWOOD OF CAPE CANAVERAL, INC., a Florida corporation, hereby amends the Declaration of Condominium as follows:

1. **II**

SURVEY AND DESCRIPTION OF IMPROVEMENTS

A. Attached hereto and made a part hereof, and marked Exhibit "A" consisting of fifteen (15) pages, Exhibit "B", consisting of twelve (12) pages, Exhibit "E" consisting of sixteen (16) pages, Exhibit "F" consisting of fifteen (15) pages, Exhibit "G" consisting of sixteen (16) pages, Exhibit "H" consisting of twelve (12) pages, Exhibit "I" consisting of twelve (12) pages and Exhibit "J"

consisting of fifteen (15) pages are boundary surveys of the entire premises of which Phases One, Two, Three, Four, Five, Six and Seven are a part, boundary surveys of each phase, a graphic plot plan of the overall planned improvements, and graphic descriptions of the improvements contemplated as comprising Phases One, Two, Three, Four, Five, Six and Seven in which units are located, and plot plans thereof, identifying the units, the common elements and the limited common elements, and their respective locations and dimensions.

Said surveys, graphic descriptions and plot plans were prepared by:

ALLEN ENGINEERING, INC.
By: ROBERT M. SALMON
Professional Land Surveyor
No. 4262, State of Florida



CFN:98206673
OR Book/Page: 3915 / 1193

and have been certified in the manner required by the Florida Condominium Act. Each unit is identified and designated by a specific number. No unit bears the same numerical designation as any other unit. The specific numbers identifying each unit are listed on Sheets 7 through 10, inclusive, of Exhibit "A", Sheets 7 through 10, inclusive, of Exhibit "E", Sheets 7 through 10, inclusive, of Exhibit "F", Sheets 7 through 10, inclusive, of Exhibit "G", sheets 7 through 10, inclusive of Exhibit "H", Sheets 7 through 10, inclusive, of Exhibit "I", and Sheets 7 through 10, inclusive, of Exhibit "J" attached to this Declaration of Condominium.

All other paragraphs of Article II shall remain in full force and effect and unchanged by this Amendment.

2.

III

OWNERSHIP OF UNITS AND APPURTENANT SHARE IN COMMON ELEMENTS AND COMMON SURPLUS, AND SHARE OF COMMON EXPENSES

Each unit shall be conveyed as an individual property capable of independent use and fee simple ownership and the owner or owners of each unit shall own, as an appurtenance to the ownership of each said unit, an undivided one-one-hundred-ninety-sixth (1/196) share of all common elements of the condominium, which includes, but is not limited to, ground support area, walkways, yard area, parking areas, foundations, etc./ and substantial portions of the exterior walls, floors, ceiling and walls between units. The space within any of the units and common elements shall not be further subdivided. Any undivided interest in the common property is hereby declared to be appurtenant to each unit and such undivided interest shall not be separate from the unit and such interest shall be deemed conveyed, devised, encumbered or otherwise included with the unit even though such interest is not expressly mentioned or described in the conveyance, or other instrument. Any instrument, whether a conveyance, mortgage or otherwise, which describes only a portion of the space within any unit shall be deemed to describe the entire unit owned by the person executing such instrument and an undivided one-one-hundred-ninety-sixth (1/196) interest in all common elements of the condominium.

The common expenses shall be shared and the common surplus shall be owned in the same proportion as each unit owner's share of the ownership of the common elements, that is one-one-hundred-ninety-sixth (1/196).

All other paragraphs of Article III shall remain in full force and effect and unchanged by this Amendment.

3.

IV

UNIT BOUNDARIES, COMMON ELEMENTS, AND LIMITED COMMON ELEMENTS

The units of the condominium consist of that volume of space which is contained within the decorated or finished exposed interior surfaces of the perimeter walls, floors (excluding carpeting and other floor coverings) and ceilings of the units, the boundaries of the units are more specifically shown in Exhibit "A", Exhibit "E", Exhibit "F", Exhibit "G", Exhibit "H", Exhibit "I" and Exhibit "J" attached hereto. The dark solid lines on the floor plans hereinabove mentioned represent the perimetrical

boundaries of the units, while the upper and lower boundaries of the units, relating to the elevations of the units, are shown in notes on said plan.

There are limited common elements appurtenant to each of the units in this condominium, as shown and reflected by the floor and plot plans. These limited common elements are reserved for the use of the units appurtenant thereto, to the exclusion of other units, and there shall pass with a unit, as an appurtenance thereto, the exclusive right to use the limited common elements so appurtenant. In addition, there are two hundred one (201) garages as shown on Sheet 6, of Exhibit "A", Sheet 6 of Exhibit "E", Sheet 6 of Exhibit "F", Sheet 6 of Exhibit "G", Sheet 6 of Exhibit "H", Sheet 6 of Exhibit "I" and Sheet 6 of Exhibit "J". These garages are common elements for which the Developer reserves the right to designate the unit which shall be entitled to exclusive use of the garage. After such designation the garage shall be appurtenant to the unit and shall become a limited common element. The Developer may charge a fee for the assignment of these garages, in its sole discretion.

All other paragraphs of Article IV shall remain in full force and effect and unchanged by this Amendment.

4. **VI**

MEMBERSHIP AND VOTING RIGHTS

There shall be a total of one hundred ninety-six (196) votes to be cast by the owners of the condominium units. Such votes shall be apportioned and cast as follows: The owner of each condominium unit (designated as such on the exhibits attached to this Declaration) shall be entitled to cast one (1) vote. Where a condominium unit is owned by a corporation, partnership or other legal entity or by more than one (1) person, all the owners thereof shall be collectively entitled to the vote assigned to such unit and such owners shall, in writing, designate an individual who shall be entitled to cast the vote on behalf of the owners of such condominium unit of which he is a part until such authorization shall have been changed in writing. The term, "owner," as used herein, shall be deemed to include the Developer.

All other paragraphs of Article VI shall remain in full force and effect and unchanged by this Amendment.

5. **VII**

**COMMON EXPENSES, ASSESSMENTS, COLLECTION
LIEN AND ENDORSEMENT, LIMITATIONS**

The Board of Administration of the Association shall propose annual budgets in advance for each fiscal year which shall contain estimates of the cost of performing the functions of the Association, including but not limited to the common expense budget, which shall include, but not be limited to, the estimated amounts necessary for maintenance, and operation of common elements and limited common elements, landscaping, street and walkways, office expense, utility services, replacement and operating reserve, casualty insurance, liability insurance, administration and salaries. Failure of the board to include any item in the annual budget shall not preclude the board from levying an additional assessment in any calendar year for which the budget has been projected. In determining such common expenses, the Board of Administration may provide for an operating reserve not to exceed fifteen (15%) percent of the total projected common expenses for the year. Each unit owner shall be liable for the payment to the Association of one-one-hundred-ninety-sixth (1/196) of the common expenses as determined in said budget.

All other paragraphs of Article VII shall remain in full force and effect and unchanged by this Amendment.

6. **XIV**

TERMINATION OF CONDOMINIUM

The distributive share of each unit owner in the net proceeds of sale, though subject to the provisions hereinafter contained shall be the following portion thereof; to-wit:



AN UNDIVIDED ONE-ONE-HUNDRED-NINETY-SIXTH (1/196)

All other paragraphs of Article XIV shall remain in full force and effect and unchanged by this Amendment.

IN WITNESS WHEREOF, the above stated Developer has caused these presents to be signed and sealed this 22nd day of October, 1998.

SIGNED, SEALED AND DELIVERED
IN THE PRESENCE OF:

SHOREWOOD OF CAPE CANAVERAL,
INC., a Florida corporation

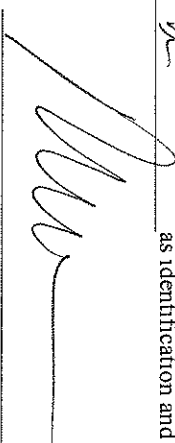

Print Name: Michael M Wallis

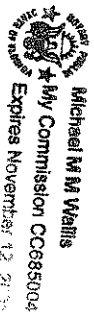
By: Charles E. Kellihier VP
CHARLES E. KELLIHER, Vice-President

Print Name: CURTIS M. GISE

STATE OF FLORIDA
COUNTY OF BREVARD

The foregoing instrument was acknowledged before me this 22nd day of October, 1998 by **CHARLES E. KELLIHER, Vice-President, of SHOREWOOD OF CAPE CANAVERAL, INC., a Florida corporation**, on behalf of the corporation. He is personally known to me or has produced FLA as identification and did/did not take an oath.


NOTARY PUBLIC, STATE OF FLORIDA
My Commission Expires: Michael M Wallis



CFN:98206673
OR Book/Page: 3915 / 1195

SURVEYOR'S CERTIFICATE

FOR

SHOREWOOD, A CONDOMINIUM, PHASE FOUR

STATE OF FLORIDA
COUNTY OF BREVARD

BEFORE ME, THE UNDERSIGNED AUTHORITY DULY AUTHORIZED TO ADMINISTER OATHS AND TAKE ACKNOWLEDGEMENTS, PERSONALLY APPEARED "ROBERT M. SALMON", BY ME WELL KNOWN, AND KNOWN TO ME TO BE THE PERSON HEREINAFTER DESCRIBED, WHO AFTER BEING BY ME FIRST DULY CAUTIONED AND SWORN, DEPOSES AND SAYS AN OATH AS FOLLOWS, TO-WIT:

I HEREBY CERTIFY THAT THE CONSTRUCTION OF THE IMPROVEMENTS SHOWN AND DESCRIBED ON THE ATTACHED EXHIBIT "J" IS SUBSTANTIALLY COMPLETE SO THAT THE MATERIAL DESCRIBED AND SHOWN ON THE ATTACHED EXHIBIT "J" TOGETHER WITH THE PROVISIONS OF THE DECLARATION OF CONDOMINIUM ESTABLISHING SHOREWOOD, A CONDOMINIUM, PHASE FOUR, IS AN ACCURATE REPRESENTATION OF THE LOCATIONS AND DIMENSIONS OF THE IMPROVEMENTS, AND THAT THE IDENTIFICATION, LOCATIONS AND DIMENSIONS OF THE COMMON ELEMENTS AND OF EACH UNIT CAN BE DETERMINED FROM THESE MATERIALS.

IN WITNESS WHEREOF, I HAVE HEREUNTO SET MY HAND AND OFFICIAL SEAL, THIS 22ND DAY OF OCTOBER, 1998, A.D.

ALLEN ENGINEERING, INC.



CFN:98206673
OR Book/Page: 3915 / 1196

BY:

ROBERT M. SALMON
PROFESSIONAL LAND SURVEYOR
STATE OF FLORIDA, NO. 4262

THIS FOREGOING INSTRUMENT WAS ACKNOWLEDGED
BEFORE ME THIS 22ND DAY OF OCTOBER, 1998
BY ROBERT M. SALMON, WHO IS PERSONALLY
KNOWN AND WHO DID TAKE AN OATH.



JILL B. NICKEL
NOTARY PUBLIC-STATE OF FLORIDA
MY COMMISSION EXPIRES: JULY 5, 2002
MY COMMISSION NO IS: CC756049

ALLEN ENGINEERING, INC.
106 DIXIE LANE
COCOA BEACH, FLORIDA
OCTOBER 22, 1998

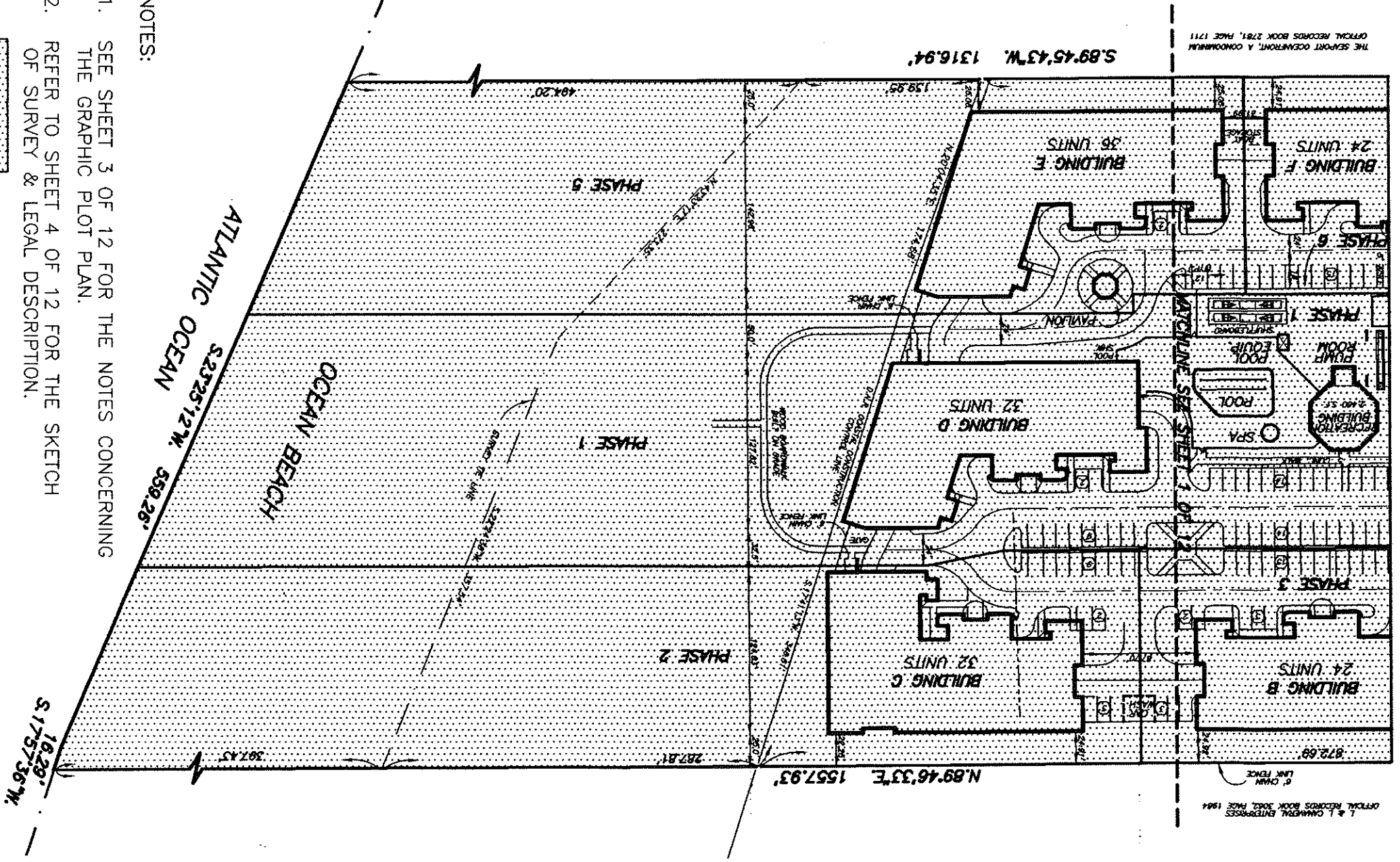
EXHIBIT "J-1"

SHEET 1 OF 1

SHOREWOOD, A CONDOMINIUM PHASE 4

GRAPHIC PLOT PLAN

SCALE: 1" = 100'



L & L CARTER, ENTERPRISES
OFFICIAL RECORDS BOOK 3002, PAGE 1984

L & L CARTER, ENTERPRISES
OFFICIAL RECORDS BOOK 3002, PAGE 1984

NOTES:

1. SEE SHEET 3 OF 12 FOR THE NOTES CONCERNING THE GRAPHIC PLOT PLAN.
2. REFER TO SHEET 4 OF 12 FOR THE SKETCH OF SURVEY & LEGAL DESCRIPTION.
3. = INDICATES NOT A PART OF PHASE FOUR.

ALLEN ENGINEERING, INC.
106 DIXIE LANE
COCOA BEACH, FLORIDA
OCTOBER 21, 1998



CFN:98206673
OR Book/Page: 3915 / 1198

EXHIBIT "J"

SHEET 2 OF 12

SHOREWOOD, A CONDOMINIUM

PHASE 4

SURVEYOR'S NOTES CONCERNING THE GRAPHIC PLOT PLAN OF PHASE 4:

1. Shorewood, A Condominium, Phase 4, contains Building "A", a 5-story multi-family building having a total of 24 living units. Building "A" also contains 24 garage spaces located on the first floor of the building.
2. The balance of improvements planned by the developer in Phase 4 consists of driveways, walkways, parking areas, open landscaped areas.
3. All areas and improvements exclusive of the units are common elements of the condominium, as set forth in the declaration of condominium. The garage spaces described in note 1 are common elements of the condominium limited to the use of certain units set forth in the declaration of Condominium.
4. The graphic plot plan of Phase 4 was prepared from an Engineering Site Plan, prepared by Allen Engineering, Inc.

SURVEYOR'S NOTE CONCERNING SKETCH OF SURVEY:

1. The bearings shown on the Sketches of Survey (sheets 4 & 5) are based on the line between Florida Department of Natural Resources Coastal Construction Control Line monuments 70-80-A1 and 70-80-A3 bearing S 15°43'07" W. This bearing was computed using the field location of said monuments and the published coordinates as shown on the map recorded in Survey Book 2A, page 29, of the Public Records of Brevard County Florida.
2. The Sketch of Survey of the Parent Parcel (sheet 5 of 12) is included to illustrate the existing improvements located on the site.



CFN:98206673
OR Book/Page: 3915 / 1199

ABBREVIATIONS:

W.I. CLOS. = walk in closet
M. BATH = master bath
BLDG. = building

CERTIFICATION:

I hereby certify the Sketch of Survey shown on Sheet 4 of 12 is an accurate representation of a survey performed under my direction, in accordance with the "Minimum Technician Standards" for Land Surveying in the State of Florida, described in Chapter 61G17-6, Florida Administrative Code, pursuant to Chapter 472.027, Florida Statutes

ALLEN ENGINEERING, INC.

BY: 
ROBERT M. SALMON
PROFESSIONAL LAND SURVEYOR
STATE OF FLORIDA, NO. 4262

Not valid unless embossed
with Surveyor's Seal

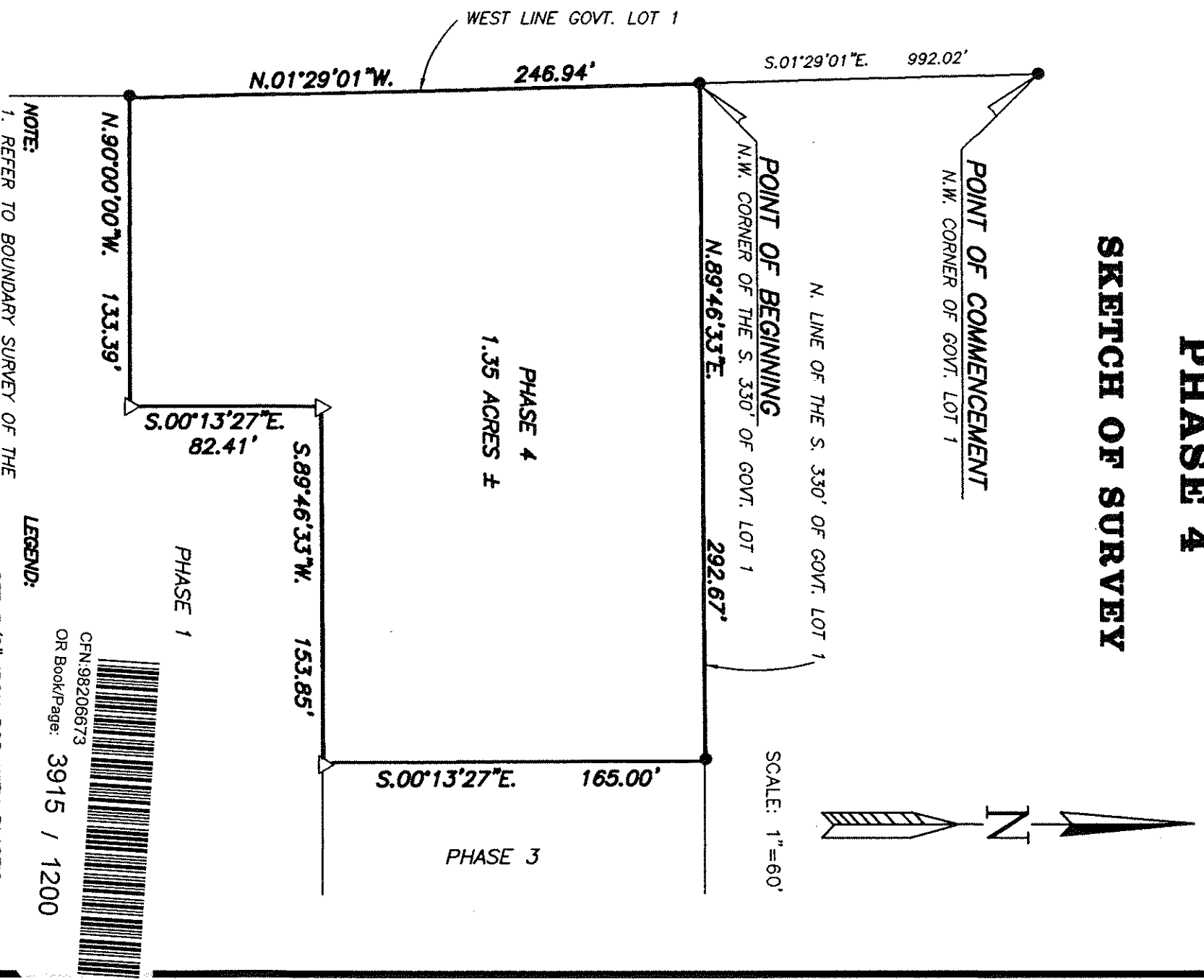
ALLEN ENGINEERING, INC.
106 DIXIE LANE
COCOA BEACH, FLORIDA
OCTOBER 21, 1998

EXHIBIT "J"

SHEET 3 OF 12

SHOREWOOD, A CONDOMINIUM PHASE 4

SKETCH OF SURVEY



- NOTE:**
1. REFER TO BOUNDARY SURVEY OF THE PARENT PARCEL (SHEET 5 OF 12) FOR THE LOCATION OF THE EXISTING IMPROVEMENTS AND ENCROACHMENTS ON THE SITE.
 2. THE SURVEY SHOWN HEREON WAS COMPLETED ON OCTOBER 20, 1998.

DESCRIPTION: (PHASE 4)

A portion of Government Lot 1, Section 14, Township 24 South, Range 37 East, Brevard County, Florida, being more particularly described as follows:

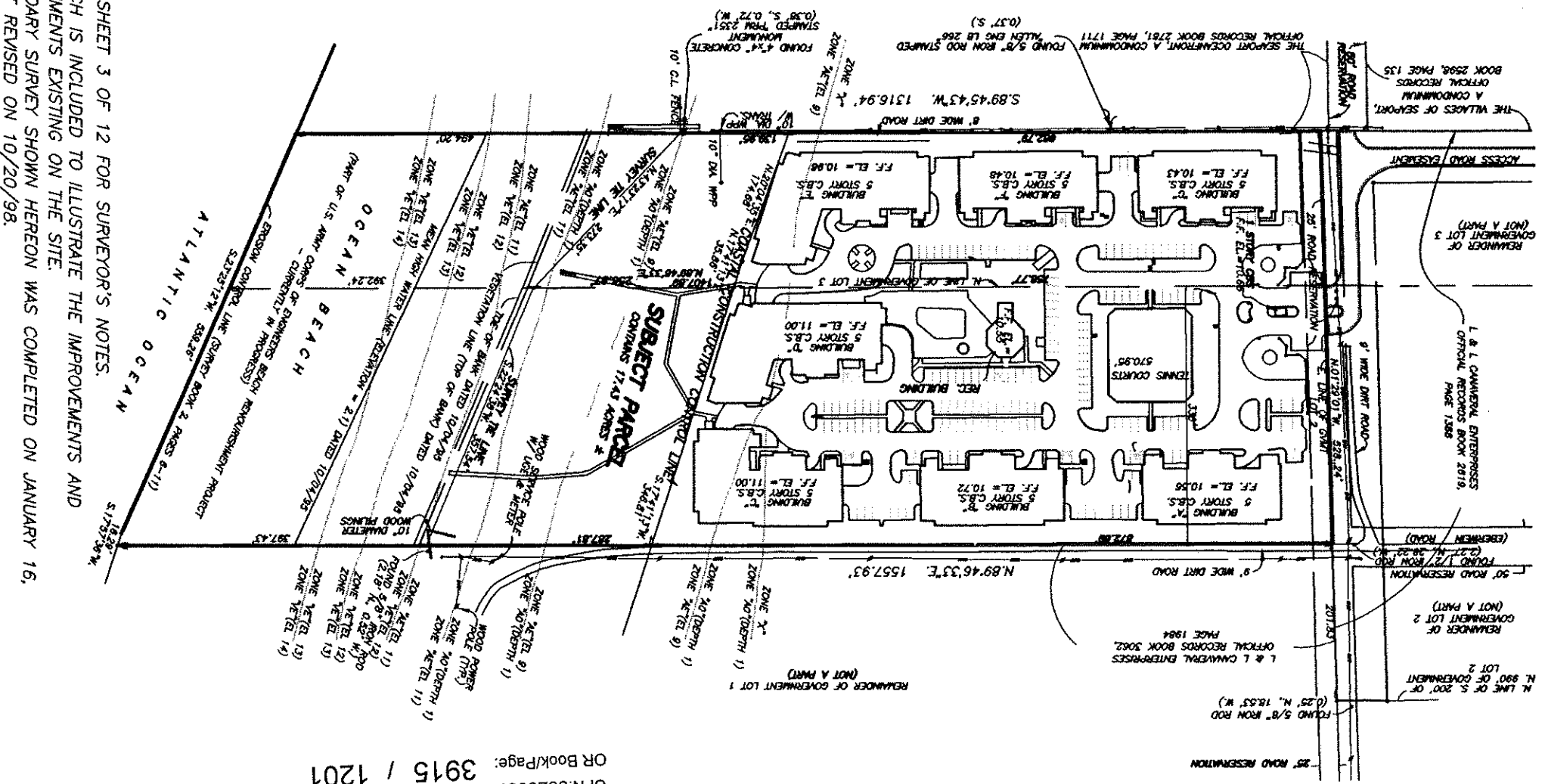
Commence at the Northwest corner of said Government Lot 1; thence S.01°29'01"E, along the West line of said Government Lot 1, a distance of 992.02 feet, to the Northwest corner of the South 330.00 feet of said Government Lot 1 and the POINT OF BEGINNING of the herein described parcel; thence N.89°46'33"E, along the North line of the South 330.00 feet of said Government Lot 1, a distance of 292.67 feet; thence S.00°13'27"E, a distance of 165.00 feet; thence S.89°46'33"W, a distance of 153.85 feet; thence S.00°13'27"E, a distance of 82.41 feet; thence West, a distance of 133.39 feet, to a point on the West line of said Government Lot 1; thence N.01°29'01"W, along the West line of said Government Lot 1, a distance of 246.94 feet, to the POINT OF BEGINNING; Containing 1.35 acres, more or less.

ALLEN ENGINEERING, INC.
106 DIXIE LANE
COCOA BEACH, FLORIDA
OCTOBER 21, 1998

EXHIBIT "J"

SHEET 4 OF 12

SHOREWOOD, A CONDOMINIUM BOUNDARY SURVEY - PARENT PARCEL



- NOTE:**
1. REFER TO SHEET 3 OF 12 FOR SURVEYOR'S NOTES.
 2. THIS SKETCH IS INCLUDED TO ILLUSTRATE THE IMPROVEMENTS AND ENCROACHMENTS EXISTING ON THE SITE.
 3. THE BOUNDARY SURVEY SHOWN HEREON WAS COMPLETED ON JANUARY 16, 1997, LAST REVISED ON 10/20/98.

- LEGEND:**
1. ● = Set 5/8" Iron Rod with Plastic Cap stamped "ALLEN ENG LB 266"
 2. ○ = Corner not set (located on beach).

ALLEN ENGINEERING, INC.
106 DIXIE LANE
COCOA BEACH, FLORIDA
OCTOBER 21, 1998

EXHIBIT "J"

SHEET 5 OF 12

CFN:98206673
OR Book/Page: 3915 / 1201


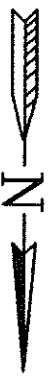
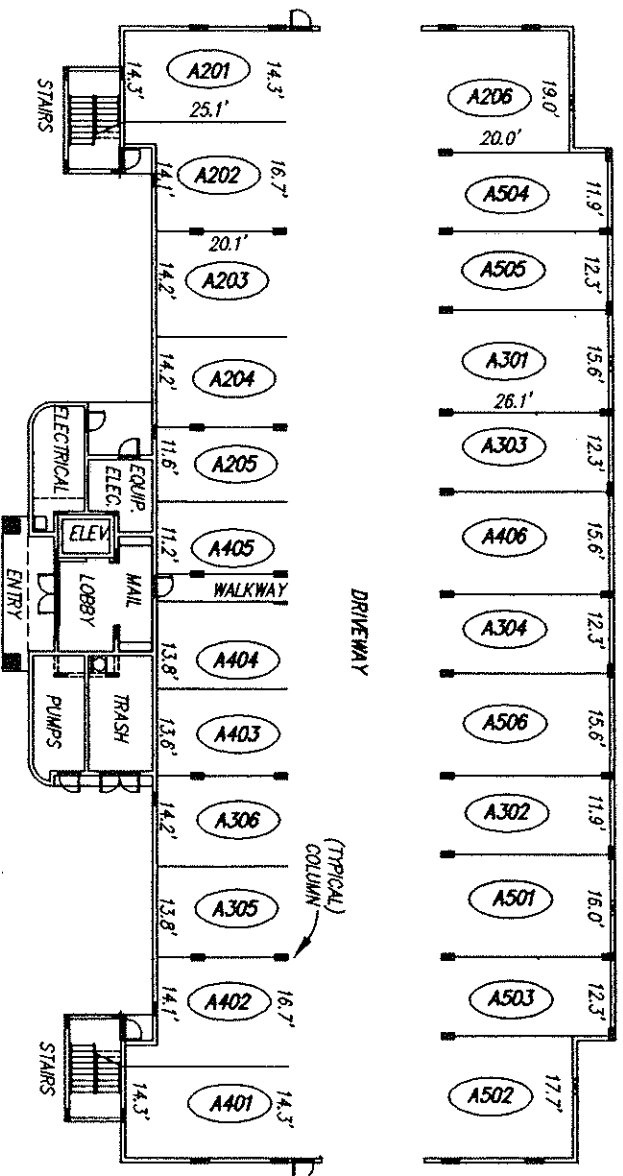



PHOTO REDUCTION
NOT TO SCALE

SHOREWOOD, A CONDOMINIUM PHASE 4

FIRST FLOOR PLAN BUILDING A

SCALE: 1" = 30'



SURVEYOR'S NOTES:

1. THE FIRST FLOOR FINISHED FLOOR ELEVATION IS 10.50 FEET.
2. THE FIRST FLOOR FINISHED CEILING ELEVATION IS 19.50 FEET.
3. **A201** INDICATES THE UNIT NUMBER DESIGNATION.
4. ALL AREAS AND IMPROVEMENTS ON THE FIRST FLOOR ARE COMMON ELEMENTS OF THE CONDOMINIUM. THE PARKING SPACES SHOWN ARE COMMON ELEMENTS OF THE CONDOMINIUM WHOSE USE IS LIMITED TO CERTAIN UNITS AS SET FORTH IN THE DECLARATION OF CONDOMINIUM.
5. THE ELEVATIONS SHOWN ARE BASED ON N.G.V. DATUM OF 1929.



CFN:98206673
OR Book/Page: 3915 / 1202

ALLEN ENGINEERING, INC.
106 DIXIE LANE
COCOA BEACH, FLORIDA
OCTOBER 21, 1998

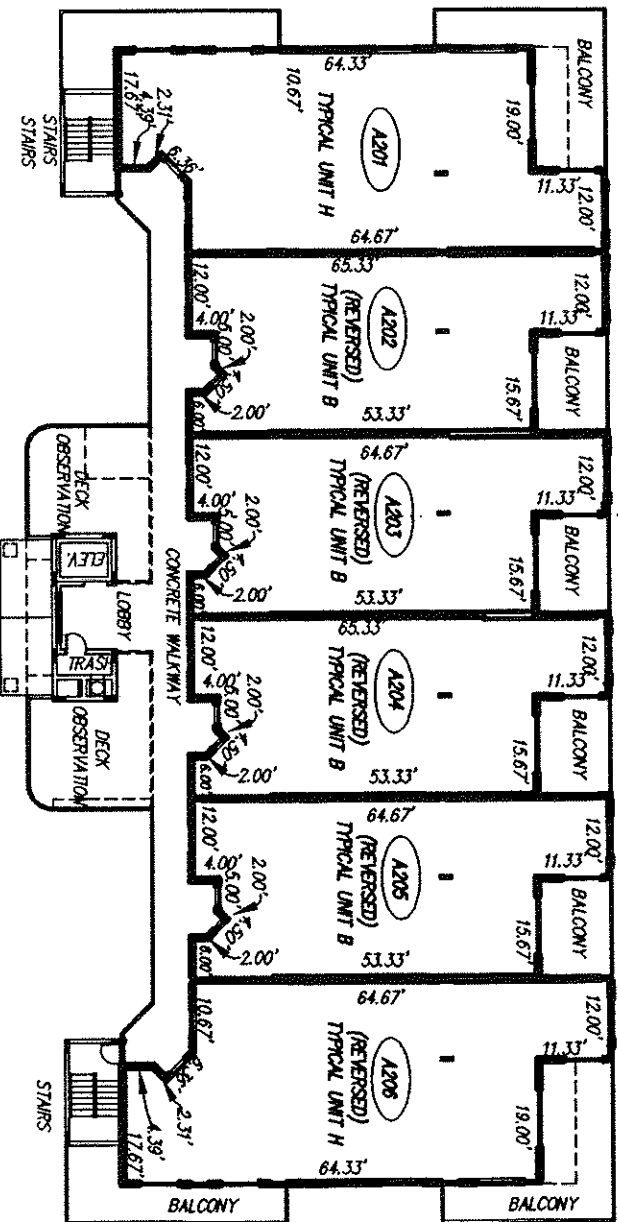
EXHIBIT "J"

SHEET 6 OF 12

SHOREWOOD, A CONDOMINIUM PHASE 4

SECOND FLOOR PLAN BUILDING A

SCALE: 1" = 30'



SURVEYOR'S NOTES:

1. THE SECOND FLOOR FINISHED FLOOR ELEVATION IS 20.20 FEET.
2. THE SECOND FLOOR FINISHED CEILING ELEVATION IS 28.20 FEET.
3. ——— INDICATES THE LIMITS OF THE UNITS.
4. (A201) INDICATES THE UNIT NUMBER DESIGNATION.
5. ALL AREAS AND IMPROVEMENTS EXCLUSIVE OF THE UNITS ARE COMMON ELEMENTS OF THE CONDOMINIUM.
6. THE ELEVATIONS SHOWN ARE BASED ON N.G.V. DATUM OF 1929.
7. THE BALCONIES ARE COMMON ELEMENTS LIMITED FOR THE USE OF THE ADJACENT UNIT.
8. SEE SHEETS 11 AND 12 FOR TYPICAL UNIT PLANS.
9. ANY UTILITY OR STRUCTURAL AREAS WHICH ARE LOCATED WITHIN THE LIMITS OF THE UNITS SHOWN BUT ARE SERVING OTHER UNITS WITHIN THE BUILDING, ARE COMMON ELEMENTS OF THE CONDOMINIUM.



CFN:98206673
OR Book/Page: 3915 / 1203

ALLEN ENGINEERING, INC.
106 DIXIE LANE
COCOA BEACH, FLORIDA
OCTOBER 21, 1998

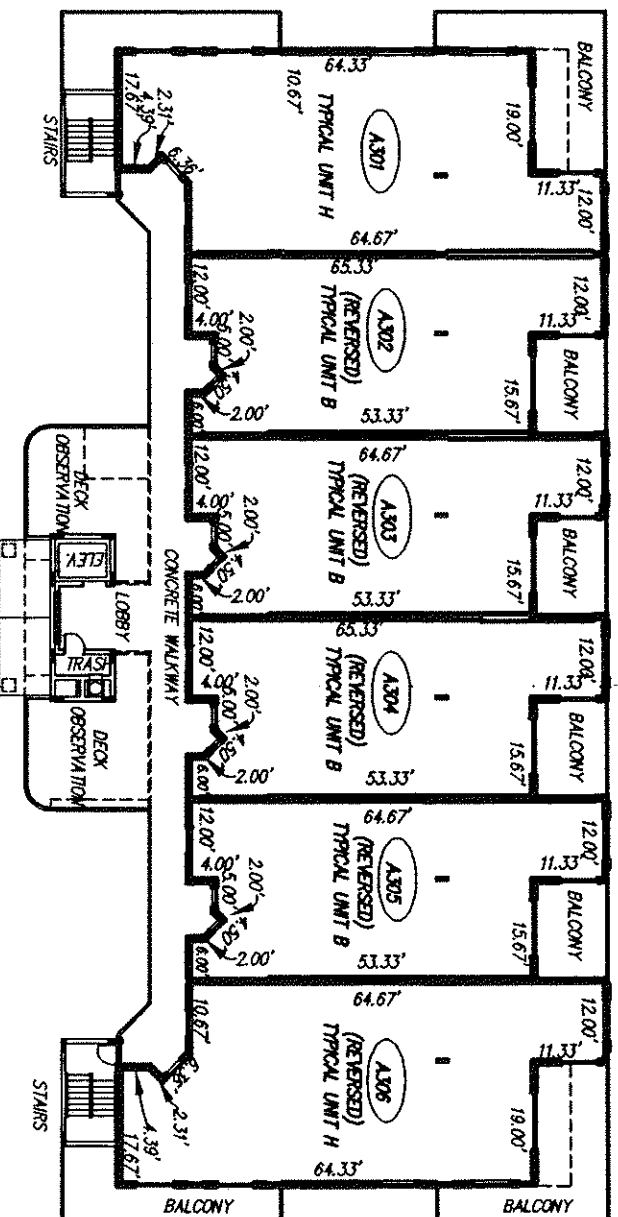
EXHIBIT "J"

SHEET 7 OF 12

SHOREWOOD, A CONDOMINIUM PHASE 4

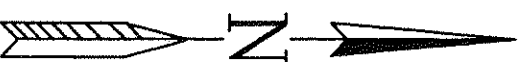
THIRD FLOOR PLAN BUILDING A

SCALE: 1" = 30'



SURVEYOR'S NOTES:

1. THE THIRD FLOOR FINISHED FLOOR ELEVATION IS 28.90 FEET.
2. THE THIRD FLOOR FINISHED CEILING ELEVATION IS 36.90 FEET.
3. ——— INDICATES THE LIMITS OF THE UNITS.
4. (A301) INDICATES THE UNIT NUMBER DESIGNATION.
5. ALL AREAS AND IMPROVEMENTS EXCLUSIVE OF THE UNITS ARE COMMON ELEMENTS OF THE CONDOMINIUM.
6. THE ELEVATIONS SHOWN ARE BASED ON N.G.V. DATUM OF 1929.
7. THE BALCONIES ARE COMMON ELEMENTS LIMITED FOR THE USE OF THE ADJACENT UNIT.
8. SEE SHEETS 11 AND 12 FOR TYPICAL UNIT PLANS.
9. ANY UTILITY OR STRUCTURAL AREAS WHICH ARE LOCATED WITHIN THE LIMITS OF THE UNITS SHOWN BUT ARE SERVING OTHER UNITS WITHIN THE BUILDING, ARE COMMON ELEMENTS OF THE CONDOMINIUM.



ALLEN ENGINEERING, INC.
106 DIXIE LANE
COCOA BEACH, FLORIDA
OCTOBER 21, 1998

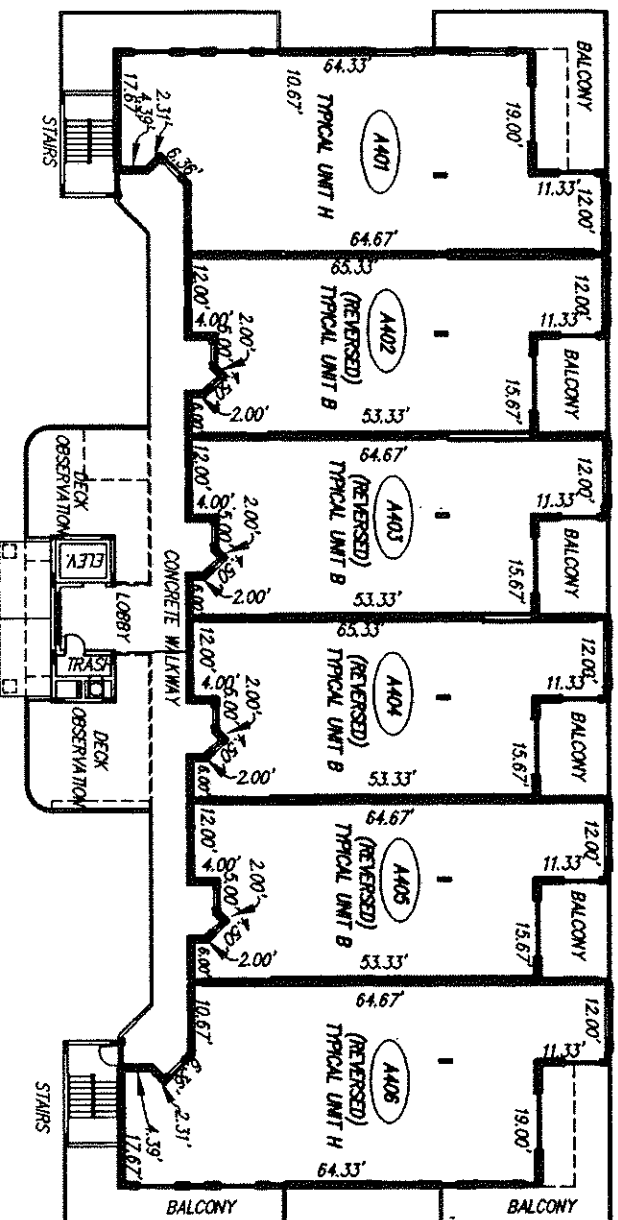


CFN:98206673
OR Book/Page: 3915 / 1204

SHOREWOOD, A CONDOMINIUM PHASE 4

FOURTH FLOOR PLAN BUILDING A

SCALE: 1"=30'



SURVEYOR'S NOTES:

1. THE FOURTH FLOOR FINISHED FLOOR ELEVATION IS 37.53 FEET.
2. THE FOURTH FLOOR FINISHED CEILING ELEVATION IS 45.53 FEET.
3. ——— INDICATES THE LIMITS OF THE UNITS.
4. (A401) INDICATES THE UNIT NUMBER DESIGNATION.
5. ALL AREAS AND IMPROVEMENTS EXCLUSIVE OF THE UNITS ARE COMMON ELEMENTS OF THE CONDOMINIUM.
6. THE ELEVATIONS SHOWN ARE BASED ON N.G.V. DATUM OF 1929.
7. THE BALCONIES ARE COMMON ELEMENTS LIMITED FOR THE USE OF THE ADJACENT UNIT.
8. SEE SHEETS 11 AND 12 FOR TYPICAL UNIT PLANS.
9. ANY UTILITY OR STRUCTURAL AREAS WHICH ARE LOCATED WITHIN THE LIMITS OF THE UNITS SHOWN BUT ARE SERVING OTHER UNITS WITHIN THE BUILDING, ARE COMMON ELEMENTS OF THE CONDOMINIUM.



CFN:98206673
OR Book/Page: 3915 / 1205

ALLEN ENGINEERING, INC.
106 DIXIE LANE
COCOA BEACH, FLORIDA
OCTOBER 21, 1998

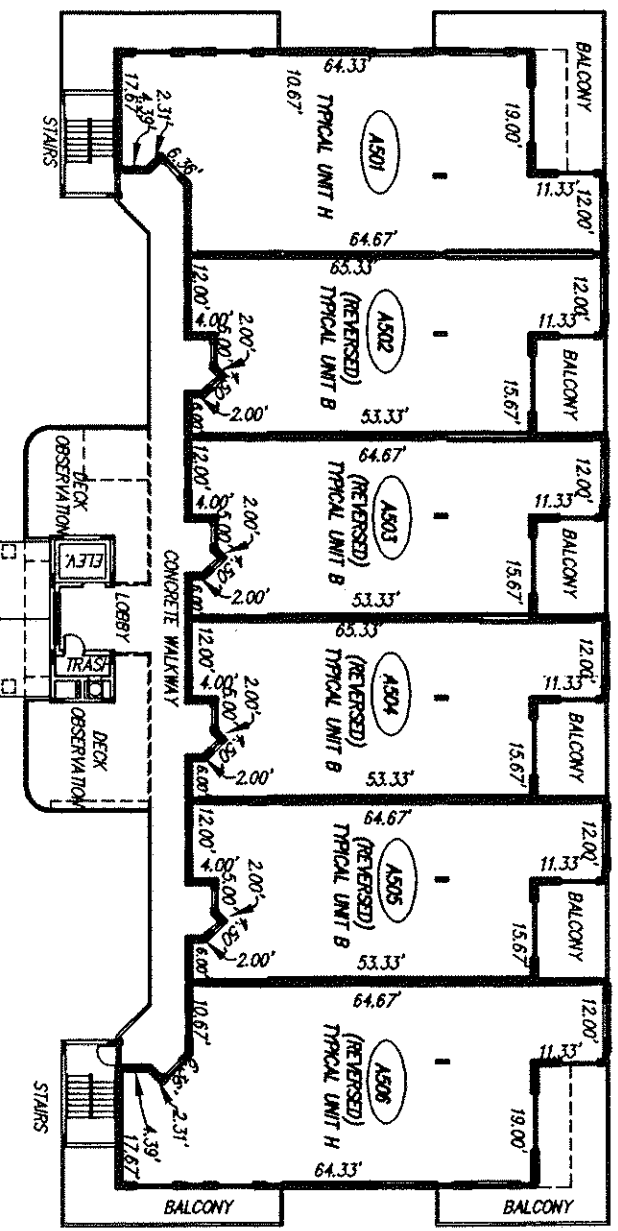
EXHIBIT "J"

SHEET 9 OF 12

SHOREWOOD, A CONDOMINIUM PHASE 4

FIFTH FLOOR PLAN BUILDING A

SCALE: 1" = 30'



SURVEYOR'S NOTES:

1. THE FIFTH FLOOR FINISHED FLOOR ELEVATION IS 46.19 FEET.
2. THE FIFTH FLOOR FINISHED CEILING ELEVATION IS 54.89 FEET.
3. ——— INDICATES THE LIMITS OF THE UNITS.
4. (A501) INDICATES THE UNIT NUMBER DESIGNATION.
5. ALL AREAS AND IMPROVEMENTS EXCLUSIVE OF THE UNITS ARE COMMON ELEMENTS OF THE CONDOMINIUM.
6. THE ELEVATIONS SHOWN ARE BASED ON N.G.V. DATUM OF 1929.
7. THE BALCONIES ARE COMMON ELEMENTS LIMITED FOR THE USE OF THE ADJACENT UNIT.
8. SEE SHEETS 11 AND 12 FOR TYPICAL UNIT PLANS.
9. ANY UTILITY OR STRUCTURAL AREAS WHICH ARE LOCATED WITHIN THE LIMITS OF THE UNITS SHOWN BUT ARE SERVING OTHER UNITS WITHIN THE BUILDING, ARE COMMON ELEMENTS OF THE CONDOMINIUM.

ALLEN ENGINEERING, INC.
106 DIXIE LANE
COCOA BEACH, FLORIDA
OCTOBER 21, 1998



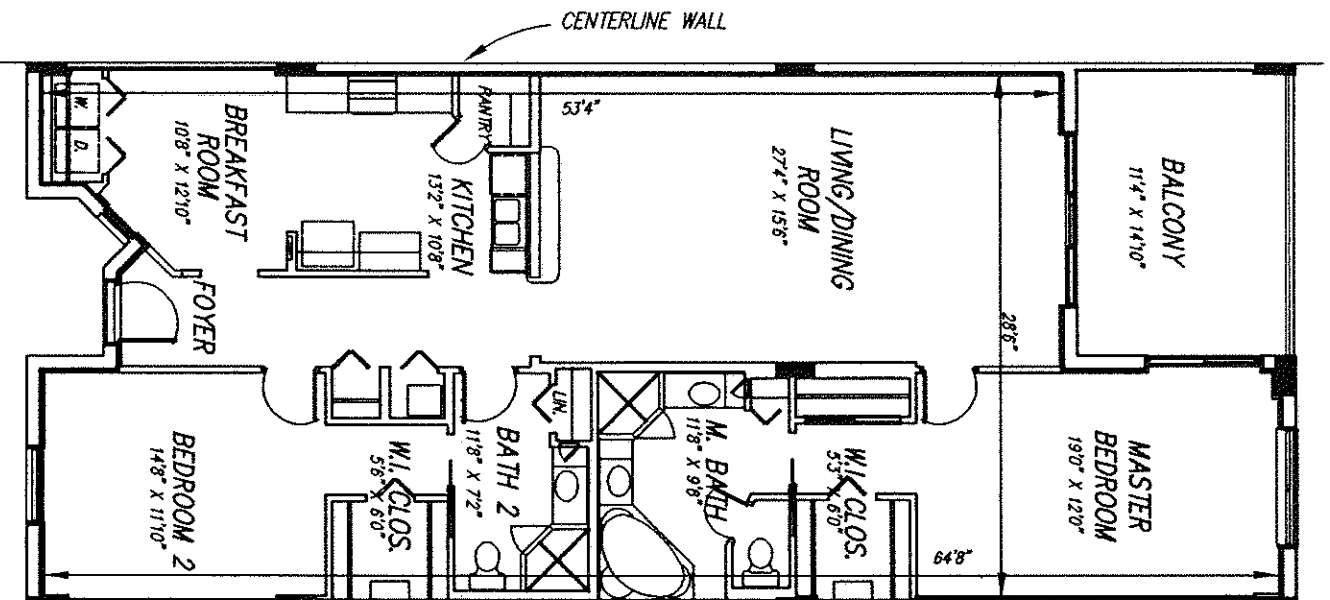
CFN:98206673
OR Book/Page: 3915 / 1206

SHOREWOOD, A CONDOMINIUM

PHASE 4

TYPICAL UNIT B

SCALE: 1"=10'



SURVEYOR'S NOTES:

1. ——— INDICATES THE LIMITS OF THE UNIT.
2. ALL AREAS AND IMPROVEMENTS EXCLUSIVE OF THE UNIT ARE COMMON ELEMENTS OF THE CONDOMINIUM.
3. THE BALCONIES ARE COMMON ELEMENTS LIMITED TO THE USE OF THE ADJACENT UNIT.
4. THE UNIT PLAN SHOWN IS REPRESENTATIONAL. THE DIMENSIONS MAY VARY SLIGHTLY.
5. SOME UNITS MAY BE REVERSED OR A MIRROR IMAGE OF THE PLAN SHOWN.
6. REFER TO THE FLOOR PLANS ON SHEETS 7 THROUGH 10 FOR THE LOCATION OF THIS UNIT WITHIN THE BUILDING.
7. ANY UTILITY OR STRUCTURAL AREAS WHICH ARE LOCATED WITHIN THE LIMITS OF THE UNITS SHOWN BUT ARE SERVING OTHER UNITS WITHIN THE BUILDING, ARE COMMON ELEMENTS OF THE CONDOMINIUM.

ALLEN ENGINEERING, INC.
106 DIXIE LANE
COCOA BEACH, FLORIDA
OCTOBER 21, 1998



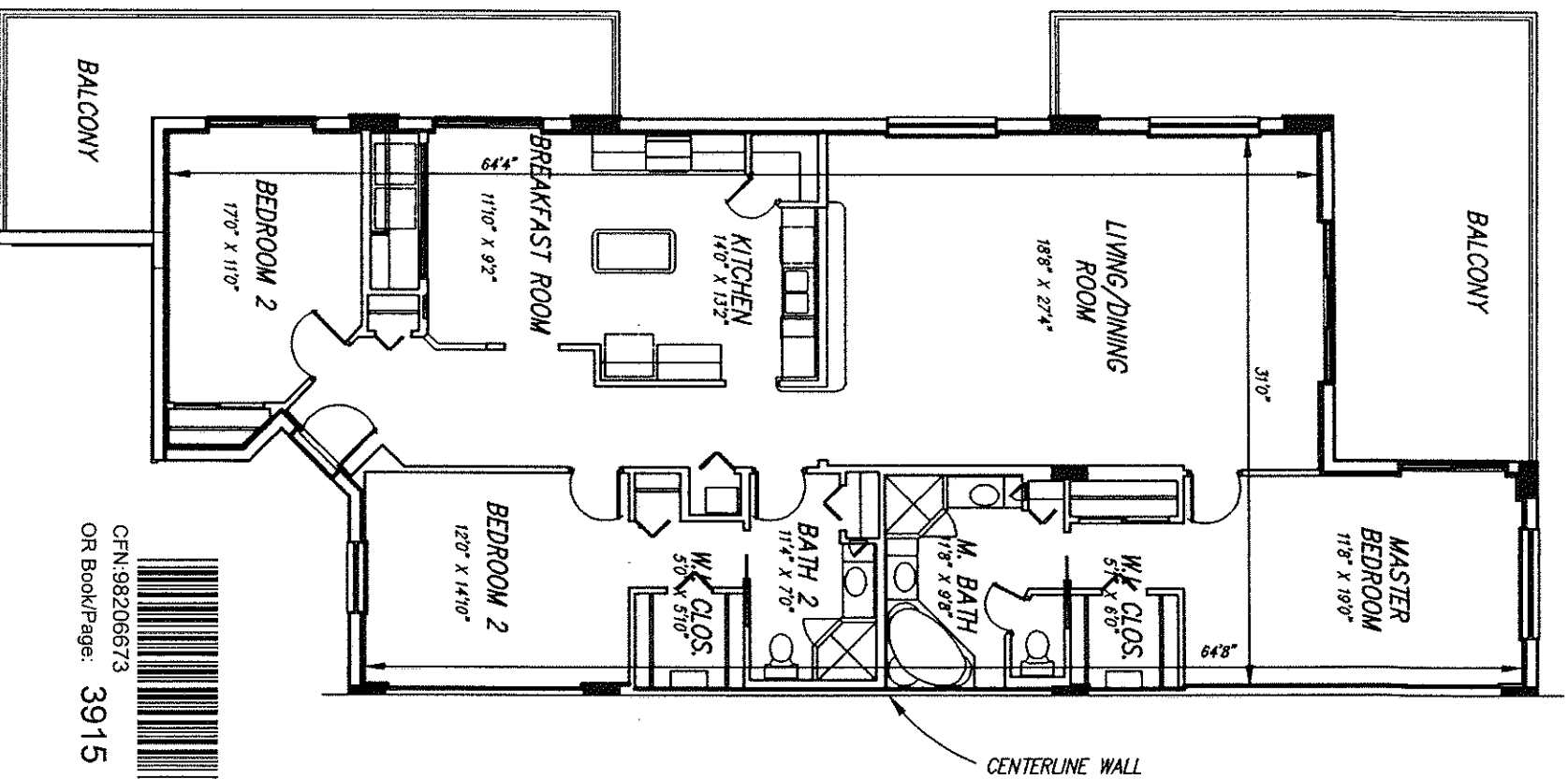
CFN:98206673
OR Book/Page: 3915 / 1207

EXHIBIT "J"

SHEET 11 OF 12

SHOREWOOD, A CONDOMINIUM PHASE 4 TYPICAL UNIT H

SCALE: 1"=10'



SURVEYOR'S NOTES:

1. _____ INDICATES THE LIMITS OF THE UNIT.
2. ALL AREAS AND IMPROVEMENTS EXCLUSIVE OF THE UNIT ARE COMMON ELEMENTS OF THE CONDOMINIUM.
3. THE BALCONIES ARE COMMON ELEMENTS LIMITED TO THE USE OF THE ADJACENT UNIT.
4. THE UNIT PLAN SHOWN IS REPRESENTATIONAL. THE DIMENSIONS MAY VARY SLIGHTLY.
5. REFER TO THE FLOOR PLANS ON SHEETS 7 THROUGH 10 FOR THE LOCATION OF THIS UNIT WITHIN THE BUILDING.
6. ANY UTILITY OR STRUCTURAL AREAS WHICH ARE LOCATED WITHIN THE LIMITS OF THE UNITS SHOWN BUT ARE SERVING OTHER UNITS WITHIN THE BUILDING, ARE COMMON ELEMENTS OF THE CONDOMINIUM.



CFN:98206673
OR Book/Page: 3915 / 1208

ALLEN ENGINEERING, INC.
106 DIXIE LANE
COCOA BEACH, FLORIDA
OCTOBER 21, 1998

EXHIBIT "J"

SHEET 12 OF 12